

# G2+

## VISION JET™

GENERATION 2+



### STANDARD FEATURES

#### AIRFRAME & POWERPLANT

Williams FJ33-5A (1846 lbs. thrust)  
Dual Channel Full Authority Digital Engine Control (FADEC)  
Cirrus Airframe Parachute System™ (CAPS™)  
**FL310 and RVSM capabilities**  
ADS-B In Weather & Traffic  
300 lb. Baggage Capacity  
Flight Into Known Icing System  
**Improved Electrical System with Intelligent Batteries**  
Trailing-Link Landing Gear  
Modular Seating for Five  
**Auto-deploy Passenger Oxygen**  
Leather Interior  
Air Conditioning with Automatic Control  
USB Power Ports  
Pilot Quick-don Oxygen Mask  
<8000 ft. Pressurized Cabin  
Stall Recognition Stick Shaker & Pusher  
**Cargo X-tend**  
**Interior Noise Reduction**  
**Decreased Ground Roll**  
**Enhanced Overall Takeoff Capabilities**  
**Improved Initial Climb Gradient**

Bold features are base equipment enhancements and new for G2+

#### AVIONICS

**Perspective Touch+™ by Garmin®**  
**14" High Resolution Displays**  
**Safe Return™ Emergency Autoland System**  
**Autothrottle**  
3 Landscape Touchscreen Controllers PFD/  
MFD Multi-Function Windows  
All-Digital Audio Panel  
TAWS-B Terrain & Obstacle Awareness Dual  
WAAS GPS/Comm/Nav Radios Complete  
Aircraft Systems Synoptics  
**CMC - Enhanced Data Logging**  
Dual AHRS, ADC, & Pitot Static  
NextGen Transponder (ADS-B Out)  
Synthetic Vision Technology  
FliteCharts & SafeTaxi<sup>3</sup>  
XM Weather® & Audio<sup>3</sup>  
Electronic Stability & Protection (ESP)  
3-Axis All-Digital Autopilot  
  
Blue Level Button  
Emergency Descent Mode

# PACKAGES



## ENHANCED AWARENESS

New weather tracking tools are available for precision analysis in real-time. The enhanced **Digital Real-Time Weather Radar** scans areas of up to 120° for storm tops and cell buildup at various altitudes. Flying at night with an eye on the weather can be accomplished with an **Enhanced Vision System**. This infrared camera captures the image of what is actually outside the aircraft and reveals any hidden hazards in the air and on the ground. Also know your location, on the airport or while approaching, with **runway alerts** and **takeoff/landing distance data** available through **SurfaceWatch** and **ChartView**.



## PRO PILOT

A professional pilot requires professional equipment. The **Traffic Avoidance System** outfits your Vision Jet with **TCAS-1 Traffic Targeting** plus **audible intruder alerts**. Your peace of mind also increases with a third **Attitude Heading Reference System/Air Data Computer** and **additional Digital Diversity Transponder**. The added ADAHRS increases redundancy and cross-checking capabilities to your Cirrus Perspective Touch cockpit. Increase your Vision's utility with **aco-pilot quick donning mask**.



## PREMIUM LUXURY

Enhance your Vision Jet experience with a selection of **Premium Leathers and Carpet** that are carefully crafted to interact harmoniously throughout the cabin. Each seat benefits from **Enhanced Dimmable Accent Lighting** fused with **Textured Fabrics** to provide an inviting personal space. Plus, the inventive lines and distinguishing **Multi-tone Paint** defines every curve for a stunning tarmac presence.

### EXECUTIVE SEATING

#### Indulge with Exceptional Accommodations

Enjoy two well-appointed, bolstered seats and a center console with stow-away tray tables – the perfect solution for extra storage of laptops, gaming systems, blankets and other must-have items. Passengers will appreciate the extra utility and luxury details designed for their comfort.

### FAMILY SEATING

#### Because Everyone Will Want to Go

Maximize your cabin capacity with 7 seats. This package adds 6th and 7th XC seats to include the smaller members of your family, too.



## PRODUCTIVITY & EXPERIENCE

A stunning **Gold Reflective Windshield** and **Cabin Windows** create a natural lighting experience but ensure heat is deflected away. Additionally, set the cabin to the perfect personal temperature, without disturbing your pilot, using the **Rear Climate Controls** positioned for passenger input. Maximize your experience with a **22" LED LCD Entertainment Display** for both work and play. Enhance productivity and keep passengers connected by incorporating Power Outlets. The **115 VAC inverter** promises you'll never be far from a convenient power supply.



## CONNECTIVITY

The **Perspective Global Connect<sup>3</sup>** allows **text messaging** and **phone call** functions directly from the cabin allowing you to stay informed while on the ground or at 31,000 feet. The level of convenience and safety provided by **worldwide Iridium Datalink Weather<sup>3</sup>** offers powerfully simple connectivity and peace of mind. Echo tops, freezing levels, and severe storm tracks are just a few entries at your fingertips. Wirelessly transfer your flight plan, text and make calls with your cellphone on the Iridium<sup>®</sup> network<sup>3</sup> or choose your XM station from any seat in the cabin all with **Flight Stream by Garmin**.

---

## ELITE \$3,200,000

With Elite, **Technology** and **Luxury** are tastefully elevated to create the ultimate Personal Jet experience. The all-new Vision Jet Elite takes you to a higher altitude of uncompromising beauty, comfort and advanced function. Elite includes **Enhanced Awareness, Pro Pilot, Premium Luxury, Productivity & Experience, and Connectivity**.

## ADDITIONAL OPTIONS

### COMPLETE SEATS \$19,900<sup>1</sup>

#### For Every Mission and Passenger Possibility.

Have it all with this package. Complete Seats includes two bolstered executive seats, one standard middle seat with armrests, two XC seats and a matching center console. Rapidly customize your cabin in dozens of different configurations for the ultimate expression of utility.

### RELIEF STATION \$19,900

Your passengers need an on-board solution for those long flight segments. The modular seating system allows you to replace a seat with an on-board relief station. This additional option will be greatly appreciated!

### DME \$14,900

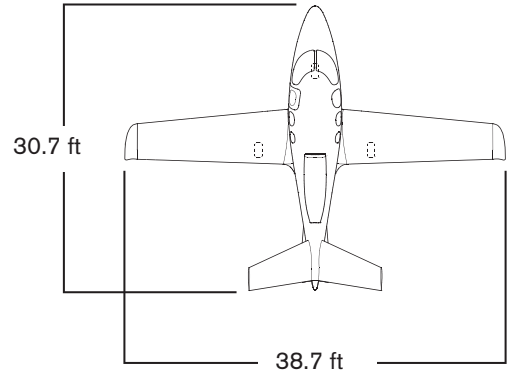
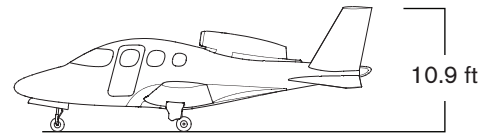
Distance Measuring Equipment (DME) is a transponder-based radio navigation technology that measures slant range distance. The stand-alone DME unit may be required for operations in certain countries.



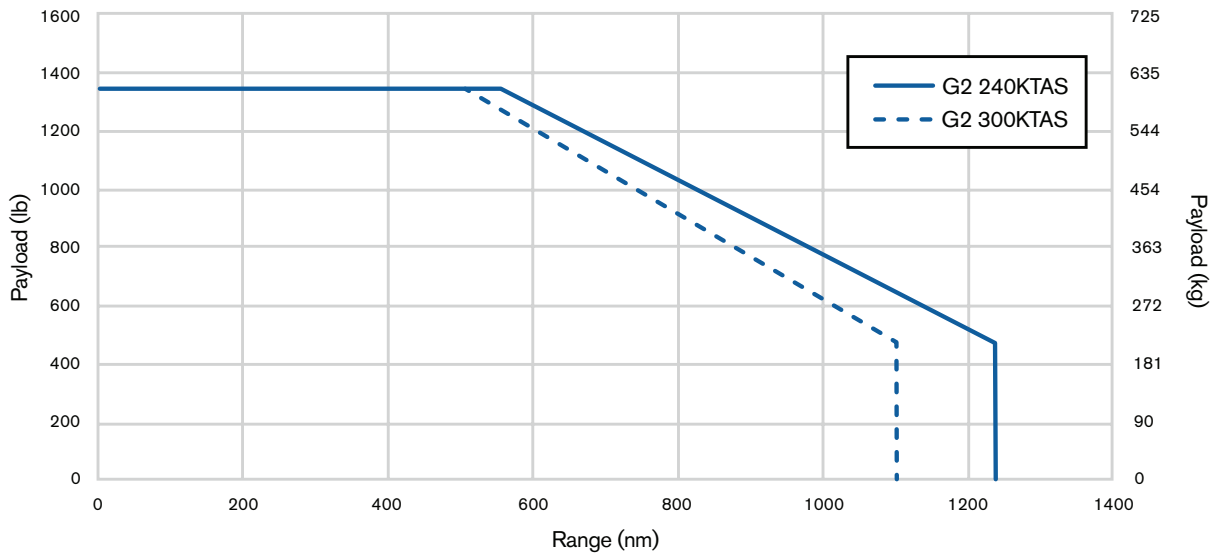
<sup>1</sup>Complete Seats is an upgrade to the Premium Luxury package.<sup>2</sup>Xi Package is an upgrade to the Elite package.

# PERFORMANCE

CIRRUS VISION JET			
PERFORMANCE	Takeoff <sup>1</sup>	2036 ft	621 m
	Takeoff Over 50 ft Obstacle <sup>1</sup>	3192 ft	973 m
	Max Operating Altitude	FL310	FL310
	Stall Speed with Flaps	67 KCAS	67 KCAS
	Max Cruise Speed at FL280	311 KTAS	311 KTAS
	Max Cruise Speed at FL310	305 KTAS	305 KTAS
	Landing Groundroll <sup>1</sup>	1628 ft	496 m
ENGINE	Manufacturer	Williams International	
	Model	FJ33-5A	
	Thrust	1846 lbs.	
DIMENSIONS	Wingspan	38.7 ft	11.8 m
	Length	30.7 ft	9.3 m
	Height	10.9 ft	3.3 m
	Cabin Width	5.1 ft	1.5 m
	Cabin Height	4.1 ft	1.2 m
		US STANDARD	METRIC



RANGE VS. PAYLOAD



VISIT [CIRRUSAIRCRAFT.COM](http://CIRRUSAIRCRAFT.COM)

Factory installed options refers to any/all options available on the Aircraft Order Form appropriate for the model ordered. Specifications, weights, representations, colors, list of equipment, use of materials and model references are not warranted or guaranteed to be true or accurate. Actual Useful Load will vary depending on options installed on the aircraft. Always consult specific aircraft weight and balance data for flight planning. The pictures contained on this website and/or brochure of specific models or other products may contain optional equipment or nonstandard features, which even if available may be at an additional cost. You may rely only upon statements and representations contained in actual contracts that you enter into with Cirrus Aircraft. Materials outside of the contract, such as may be contained on this website and/or brochure, are not to be considered part of, inducement for, or given in reliance on, when you enter into any contract or agreement with Cirrus Aircraft. Prices are subject to change without notice. Effective 11.4.2022. ©2022, CIRRUS DESIGN CORPORATION D/B/A CIRRUS AIRCRAFT

<sup>1</sup>Takeoff/landing, sea level, standard conditions, maximum gross weight and no wind.